

Application

Medium pressure centrifugal fan in the roof version. The WPD fan is used to extract slightly polluted air from various types of technological processes. The fan has an optimal static pressure for use in local exhausts, such as: automotive exhausts, welding arms; fume extraction from plasma cutters, laser cutters, etc. The fan has a radial casing adapted to the installation of acoustic silencers at the inlet and outlet, which significantly reduces noise emission outside and inside the rooms. The fan is adapted for mounting on typical roof bases (B; B/I; B/II) or for wall mounting (wall mounting bracket). Permissible temperature of the pumped medium up to +60 degrees Celsius. High temperature version on request.

Construction

- Rotor - radial steel, powder coated (WPD-1, WPD-2) or aluminum (WPD-3, WPD-4).
- Housing - powder coated steel.
- Round flanged inlet stub.
- Outlet connector - rectangular frame.
- Engine cover - powder coated steel.
- Three-phase induction motor adapted to control rotation with an inverter.

Possible additional equipment:

- outlet connector for a round duct
- ejection knee
- noise suppressor
- bracket for wall mounting





The fan is also available in an explosion-proof version

WPD-1 3G/3D explosion-proof fan for zones 2 and 22, adapted to control rotation with a frequency converter



Additional accessories

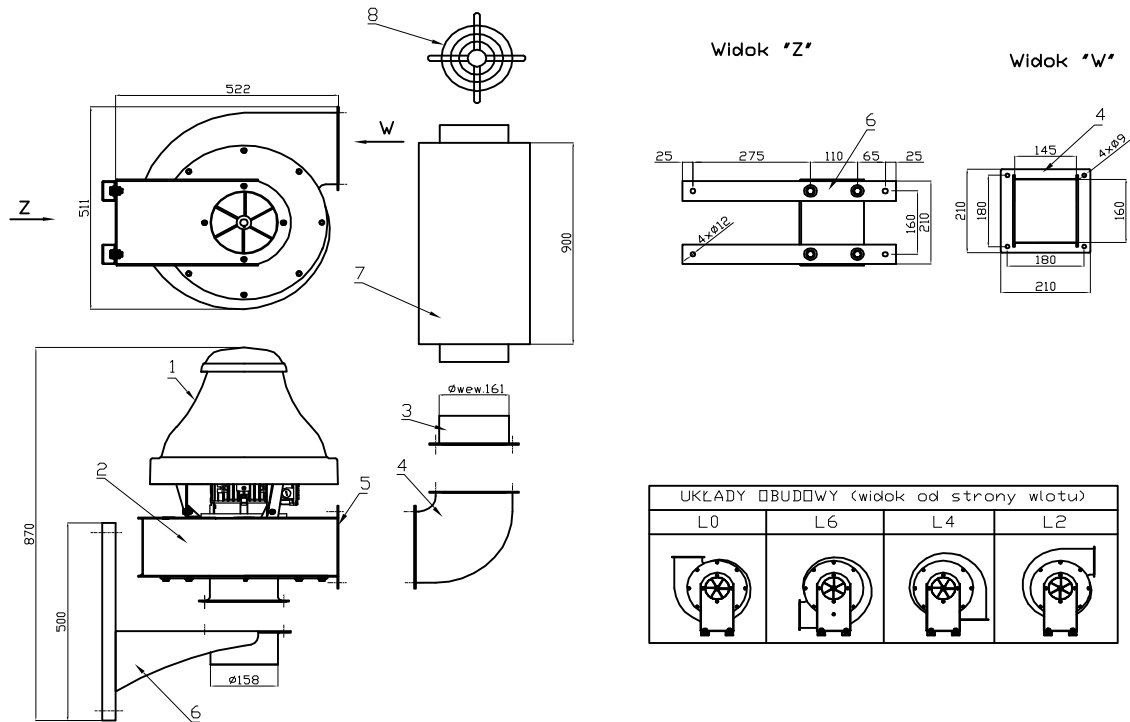
(For an extra charge)

	Bracket with profiles for assembly on the wall
	Outlet elbow
	Outlet port
	Noise silencer

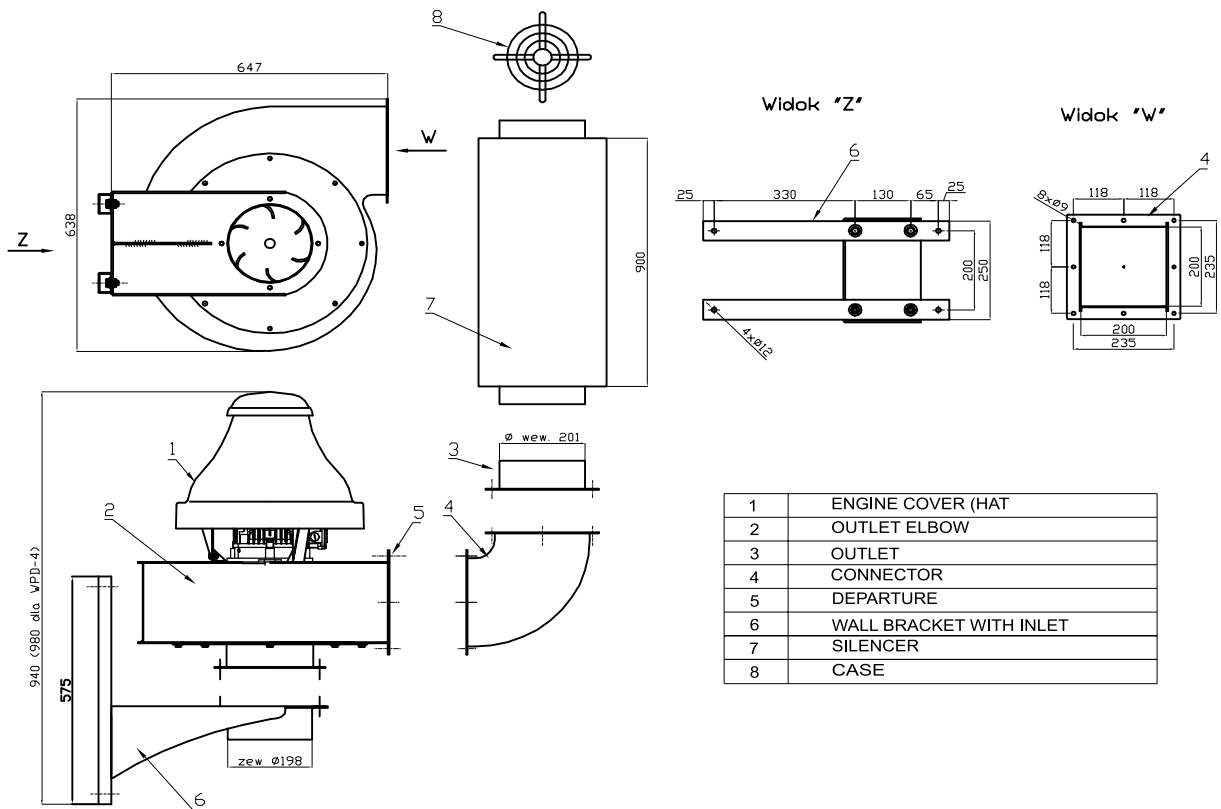
Technical data:

Typ	Wydajność max	Spręż max	Wydajność nominalna	Spręż nominalny	Moc silnika	Ilość obrotów	Prąd znamionowy 3x400V
	[m ³ /h]	[Pa]	[m ³ /h]	[Pa]	[kW]	[obr./min]	[A]
WPD-1	1600	1650	1000	980	0,75	2800	1,8
WPD-2	2800	1950	1700	1250	1,5	2800	3,2
WPD-3	3900	2100	2500	1300	2,2	2800	4,6
WPD-4	6500	2150	3500	1500	3	2800	6

WPD-1, WPD-2



WPD-3, WPD-4



1	ENGINE COVER (HAT)
2	OUTLET ELBOW
3	OUTLET
4	CONNECTOR
5	DEPARTURE
6	WALL BRACKET WITH INLET
7	SILENCER
8	CASE

Aerodynamic characteristics

